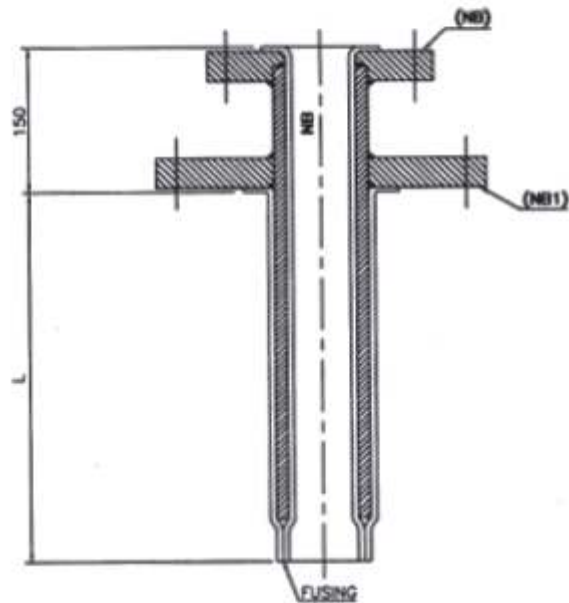
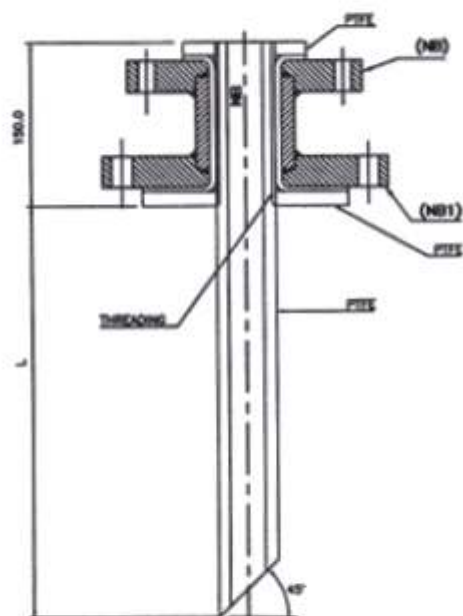


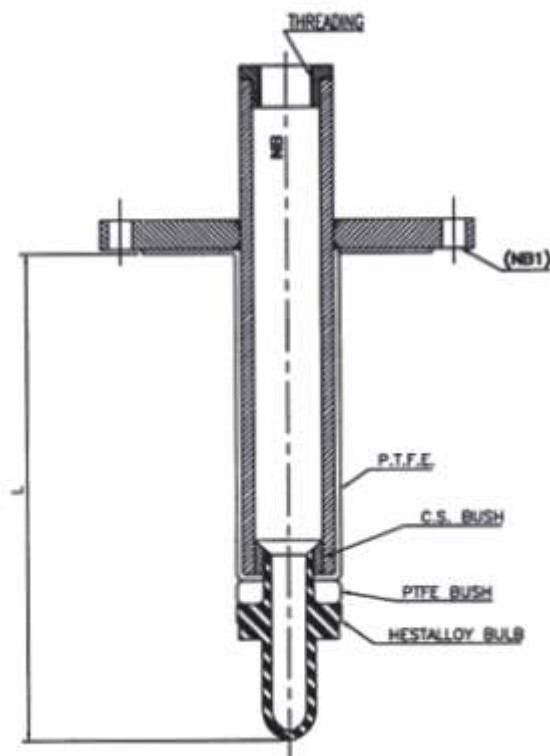
**PTFE LINED SPARGER PIPE**



**PTFE LINED DIP PIPE**



**PTFE DIP PIPE**



**PTFE LINED THERMOWELL**

**SPECIFICATIONS :**

1. ALL DIMENSIONS ARE IN mm
2. OTHER DIMENSIONS & SPECIFICATIONS ARE AS GIVEN IN PTFE LINED PIPE DRAWING
3. MATERIAL CONSTRUCTION :  
 PIPE : ANSI B 36.10, ASTM A 106 Gr. B Sch. 40  
 FLANGE : ANSI B 16.5, ASA 150#, IS 2062 Gr. A  
 LINER : ASTM D 1457 TYPE - III, PTFE