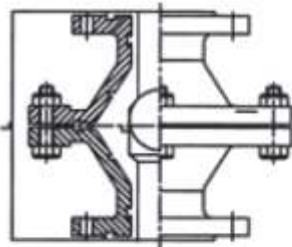
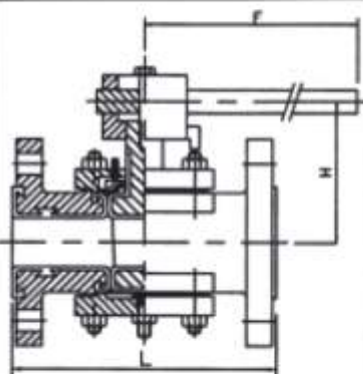


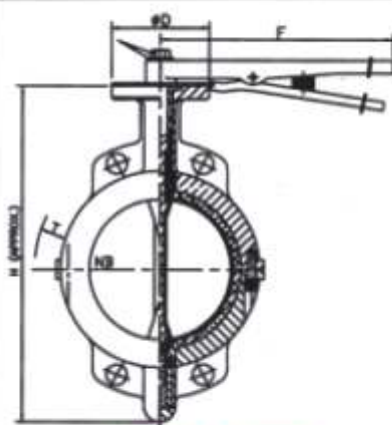
**PFA / FEP
LINED BALL
VALVE**



**PFA / FEP
LINED BALL
CHECK VALVE**

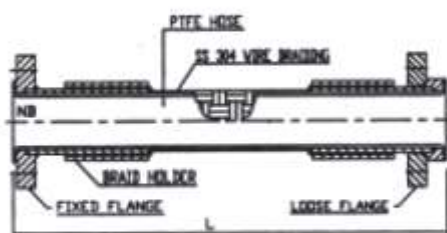


**PFA / FEP LINED
PLUG VALVE**

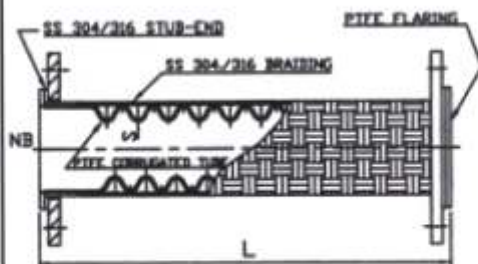


**PTFE LINED
BUTTERFLY VALVE**

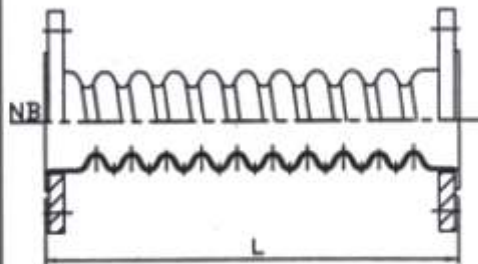
NB	BALL VALVE					BALL CHECK VALVE		PLUG VALVE			BUTTERFLY VALVE			
	FULL BORE					ASA	DIN	F	H	ASA	∅D	T	F	H
	F	H	ASA L	DIN L	ASA (PV) L									
15	160	120	130	130	108	130	130							
20	160	120	150	150	117	150	150							
25	155	110	152	160	127	152	160	155	110	127	--	--	--	--
40	205	140	178	200	165	178	200	205	140	165	--	--	--	--
50	205	150	203	230	178	203	230	205	150	178	--	--	--	--
80	290	170	241	310	203	241	310	290	170	203	--	--	--	--
100	350	185	292	350	229	292	350	350	185	229	90	52	325	260
150	--	--	--	--	--	--	--	--	--	--	90	56	375	350
200	--	--	--	--	--	--	--	--	--	--	150	60	500	460
250	--	--	--	--	--	--	--	--	--	--	150	68	545	600
300	--	--	--	--	--	--	--	--	--	--	150	78	620	600



**PTFE PLAIN
BRAIDED HOSE**



**PTFE CORRUGATED
BRAIDED HOSE**



**PTFE CORRUGATED
FLEXIBLE HOSE**

VALVES

SPECIFICATIONS :

1. ALL DIMENSIONS ARE IN mm.
2. OTHER DIMENSIONS & SPECIFICATIONS ARE AS GIVEN IN PTFE LINED PIPE DRAWING
3. MATERIAL CONSTRUCTION :
BODY : S.G. IRON / CARBON STEEL
LINER : FEP / PFA / PTFE
4. FLANGE : ANSI B 16.5, ASA 150#

HOSE

SPECIFICATIONS :

1. ALL DIMENSIONS ARE IN mm.
2. OTHER DIMENSIONS & SPECIFICATIONS ARE AS GIVEN IN PTFE LINED PIPE DRAWING
3. FLANGE : ANSI B 16.5, ASA 150#, SS 304 L/SS 316/ASTM A105/IS2062 Gr.A
4. LINER : ASTM D 1457 TYPE - III, PTFE
5. END FITTINGS : SS 304 L/SS 316 CRIMPED ON HOSE